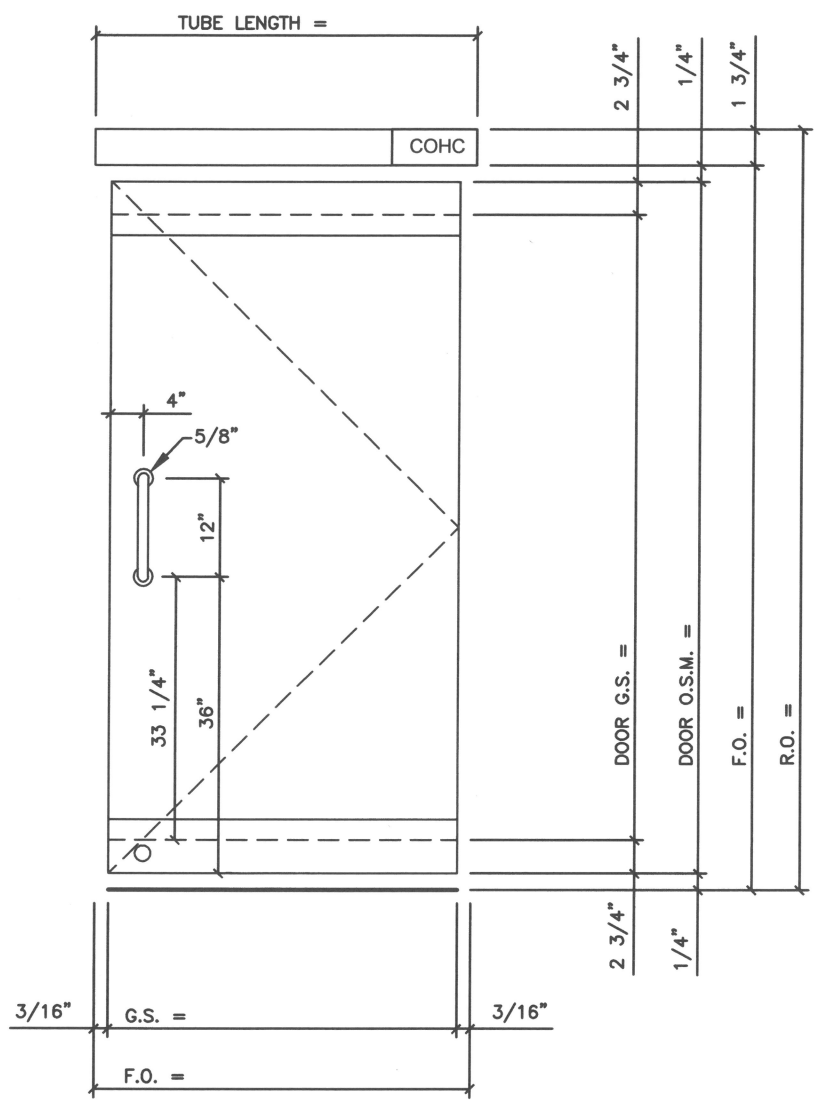


CUSTOMER: _____
 JOB: _____
 WORK ORDER: _____
 PURCHASE ORDER: _____
 DATE: _____

CUSTOMER'S APPROVAL
 FOR DESIGN, QUANTITIES, DIMENSIONS AND APPROVAL
 FIRM: _____
 BY: _____
 DATE: _____
 NOTE: JOB WILL GO INTO PRODUCTION ONLY AFTER THIS APPROVAL HAS BEEN RETURNED

- | | |
|--|--|
| TEMPERED GLASS
<input type="checkbox"/> 12mm
<input type="checkbox"/> 10mm | CLOSER
<input type="checkbox"/> NONE REQUIRED
<input type="checkbox"/> OVERHEAD
<input type="checkbox"/> FLOOR
<input type="checkbox"/> N H O
<input type="checkbox"/> 90 H O
<input type="checkbox"/> 105 H O |
| GLASS COLOR
<input type="checkbox"/> CLEAR
<input type="checkbox"/> BRONZE
<input type="checkbox"/> GREY | HEADER TUBE
<input type="checkbox"/> YES
<input type="checkbox"/> NO |
| HARDWARE FINISH
<input type="checkbox"/> POLISHED S/S
<input type="checkbox"/> SATIN S/S
<input type="checkbox"/> POLISHED BRASS
<input type="checkbox"/> SATIN BRASS
<input type="checkbox"/> CLEAR ANODIZED
<input type="checkbox"/> BRONZE ANODIZED
<input type="checkbox"/> BLACK | LOCKS
<input type="checkbox"/> YES
<input type="checkbox"/> NO |
| | DOOR PULLS
<input type="checkbox"/> STANDARD 12"
<input type="checkbox"/> OTHER |

NOTE: _____



GLASS TECH ENTRANCE SYSTEMS LTD.

4607 Pacific Road N.E.
 Calgary, Alberta T2E 5S4
 Phone: (403) 230-0661
 Fax: (403) 230-9346

CUSTOMER: _____
 JOB: _____
 WORK ORDER: _____
 PURCHASE ORDER: _____
 DATE: _____

CUSTOMER'S APPROVAL
 FOR DESIGN, QUANTITIES, DIMENSIONS AND APPROVAL
 FIRM: _____
 BY: _____
 DATE: _____
 NOTE: JOB WILL GO INTO PRODUCTION ONLY AFTER THIS APPROVAL HAS BEEN RETURNED

- | | |
|---|---|
| TEMPERED GLASS
<input type="checkbox"/> 12mm
<input type="checkbox"/> 10mm

GLASS COLOR
<input type="checkbox"/> CLEAR
<input type="checkbox"/> BRONZE
<input type="checkbox"/> GREY

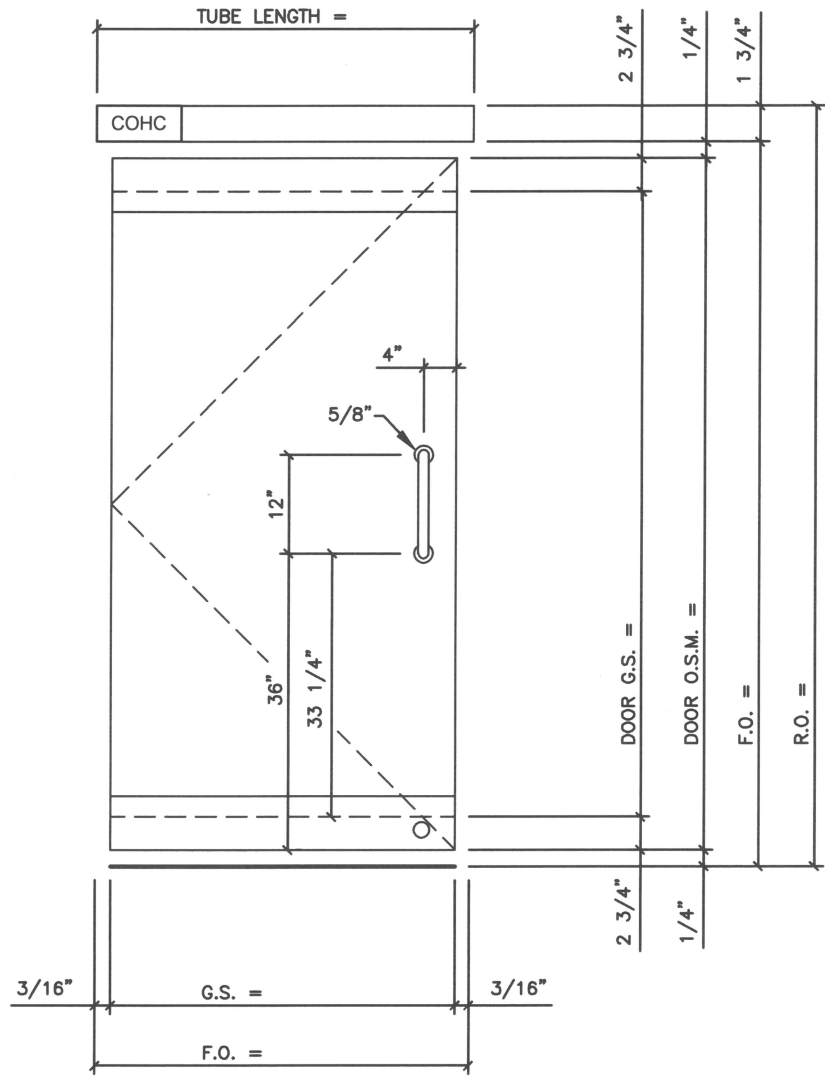
HARDWARE FINISH
<input type="checkbox"/> POLISHED S/S
<input type="checkbox"/> SATIN S/S
<input type="checkbox"/> POLISHED BRASS
<input type="checkbox"/> SATIN BRASS
<input type="checkbox"/> CLEAR ANODIZED
<input type="checkbox"/> BRONZE ANODIZED
<input type="checkbox"/> BLACK | CLOSER
<input type="checkbox"/> NONE REQUIRED
<input type="checkbox"/> OVERHEAD
<input type="checkbox"/> FLOOR
<input type="checkbox"/> N H O
<input type="checkbox"/> 90 H O
<input type="checkbox"/> 105 H O

HEADER TUBE
<input type="checkbox"/> YES
<input type="checkbox"/> NO

LOCKS
<input type="checkbox"/> YES
<input type="checkbox"/> NO

DOOR PULLS
<input type="checkbox"/> STANDARD 12"
<input type="checkbox"/> OTHER |
|---|---|

NOTE: _____



GLASS TECH ENTRANCE SYSTEMS LTD.

4607 Pacific Road N.E.
 Calgary, Alberta T2E 5S4
 Phone: (403) 230-0661
 Fax: (403) 230-9346

CUSTOMER: _____
 JOB: _____
 WORK ORDER: _____
 PURCHASE ORDER: _____
 DATE: _____

CUSTOMER'S APPROVAL
 FOR DESIGN, QUANTITIES, DIMENSIONS AND APPROVAL
 FIRM: _____
 BY: _____
 DATE: _____
 NOTE: JOB WILL GO INTO PRODUCTION ONLY AFTER THIS APPROVAL HAS BEEN RETURNED

- | | |
|---|---|
| TEMPERED GLASS
<input type="checkbox"/> 12mm
<input type="checkbox"/> 10mm

GLASS COLOR
<input type="checkbox"/> CLEAR
<input type="checkbox"/> BRONZE
<input type="checkbox"/> GREY

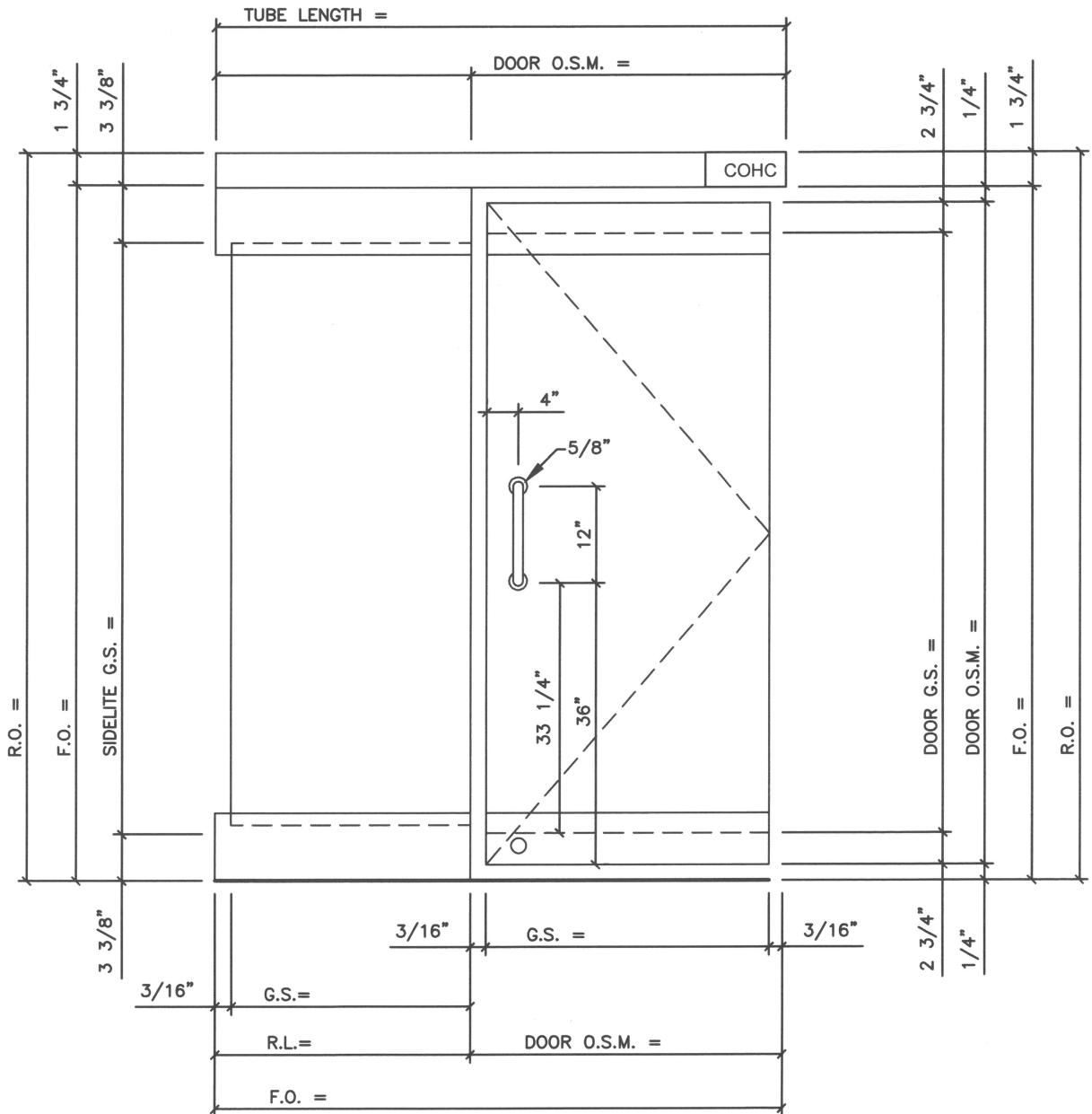
HARDWARE FINISH
<input type="checkbox"/> POLISHED S/S
<input type="checkbox"/> SATIN S/S
<input type="checkbox"/> POLISHED BRASS
<input type="checkbox"/> SATIN BRASS
<input type="checkbox"/> CLEAR ANODIZED
<input type="checkbox"/> BRONZE ANODIZED
<input type="checkbox"/> BLACK | CLOSER
<input type="checkbox"/> NONE REQUIRED
<input type="checkbox"/> OVERHEAD
<input type="checkbox"/> FLOOR
<input type="checkbox"/> N H O
<input type="checkbox"/> 90 H O
<input type="checkbox"/> 105 H O

HEADER TUBE
<input type="checkbox"/> YES
<input type="checkbox"/> NO

LOCKS
<input type="checkbox"/> YES
<input type="checkbox"/> NO

DOOR PULLS
<input type="checkbox"/> STANDARD 12"
<input type="checkbox"/> OTHER |
|---|---|

NOTE: _____



GLASS TECH ENTRANCE SYSTEMS LTD.

4607 Pacific Road N.E.
 Calgary, Alberta T2E 5S4
 Phone: (403) 230-0661
 Fax: (403) 230-9346

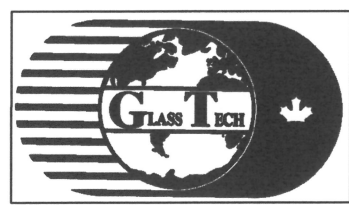
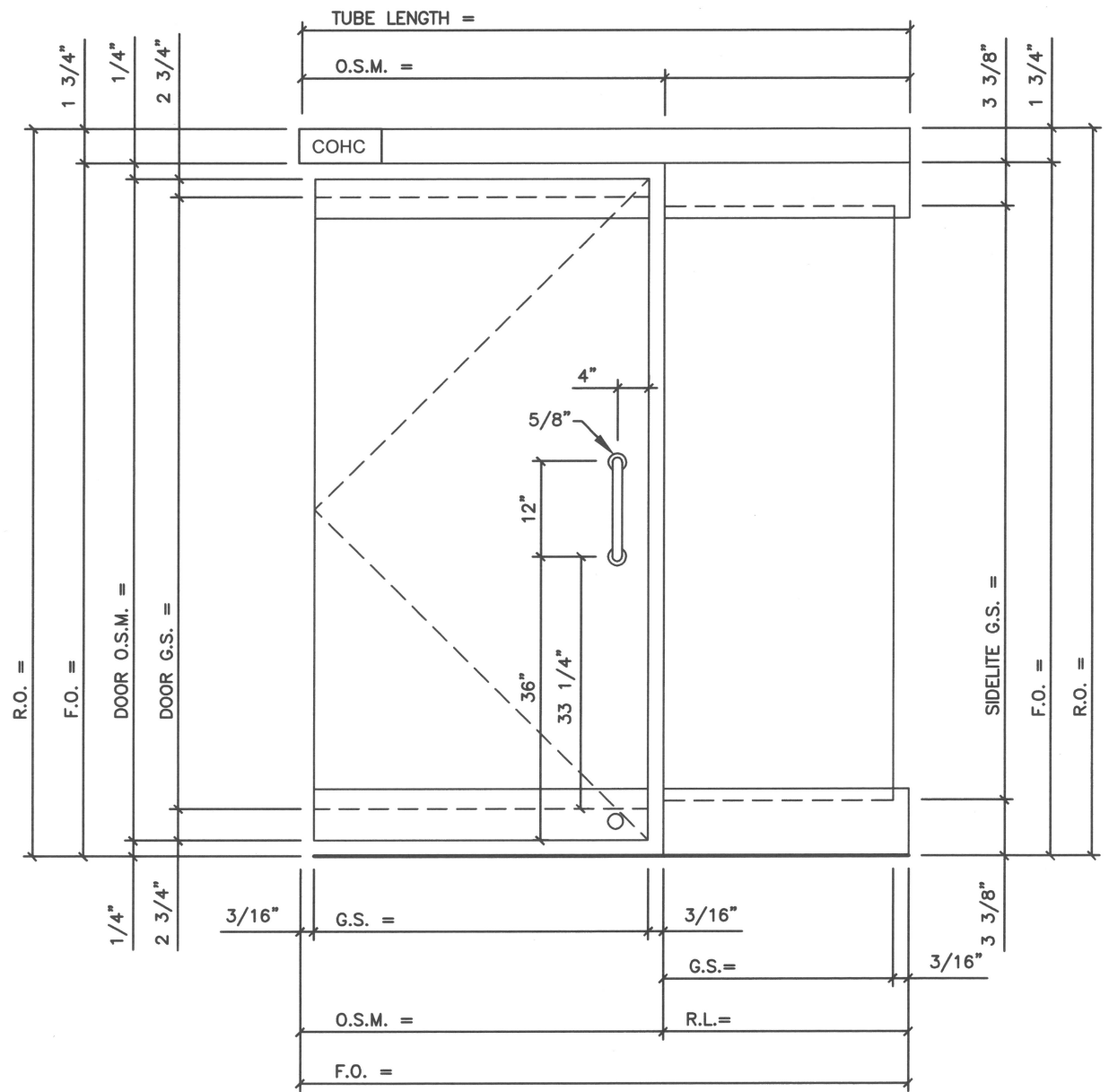
CUSTOMER: _____
 JOB: _____
 WORK ORDER: _____
 PURCHASE ORDER: _____
 DATE: _____

CUSTOMER'S APPROVAL
 FOR DESIGN, QUANTITIES, DIMENSIONS AND APPROVAL
 FIRM: _____
 BY: _____
 DATE: _____
 NOTE: JOB WILL GO INTO PRODUCTION ONLY AFTER THIS APPROVAL HAS BEEN RETURNED

- TEMPERED GLASS
 12mm
 10mm
- GLASS COLOR
 CLEAR
 BRONZE
 GREY
- HARDWARE FINISH
 POLISHED S/S
 SATIN S/S
 POLISHED BRASS
 SATIN BRASS
 CLEAR ANODIZED
 BRONZE ANODIZED
 BLACK

- CLOSER
 NONE REQUIRED
 OVERHEAD
 FLOOR
 N H O
 90 H O
 105 H O
- HEADER TUBE
 YES
 NO
- LOCKS
 YES
 NO
- DOOR PULLS
 STANDARD 12"
 OTHER

NOTE: _____



GLASS TECH ENTRANCE SYSTEMS LTD.

4607 Pacific Road N.E.
 Calgary, Alberta T2E 5S4
 Phone: (403) 230-0661
 Fax: (403) 230-9346

CUSTOMER: _____
 JOB: _____
 WORK ORDER: _____
 PURCHASE ORDER: _____
 DATE: _____

CUSTOMER'S APPROVAL
 FOR DESIGN, QUANTITIES, DIMENSIONS AND APPROVAL
 FIRM: _____
 BY: _____
 DATE: _____
 NOTE: JOB WILL GO INTO PRODUCTION ONLY AFTER THIS APPROVAL HAS BEEN RETURNED

- | | |
|---|---|
| TEMPERED GLASS
<input type="checkbox"/> 12mm
<input type="checkbox"/> 10mm

GLASS COLOR
<input type="checkbox"/> CLEAR
<input type="checkbox"/> BRONZE
<input type="checkbox"/> GREY

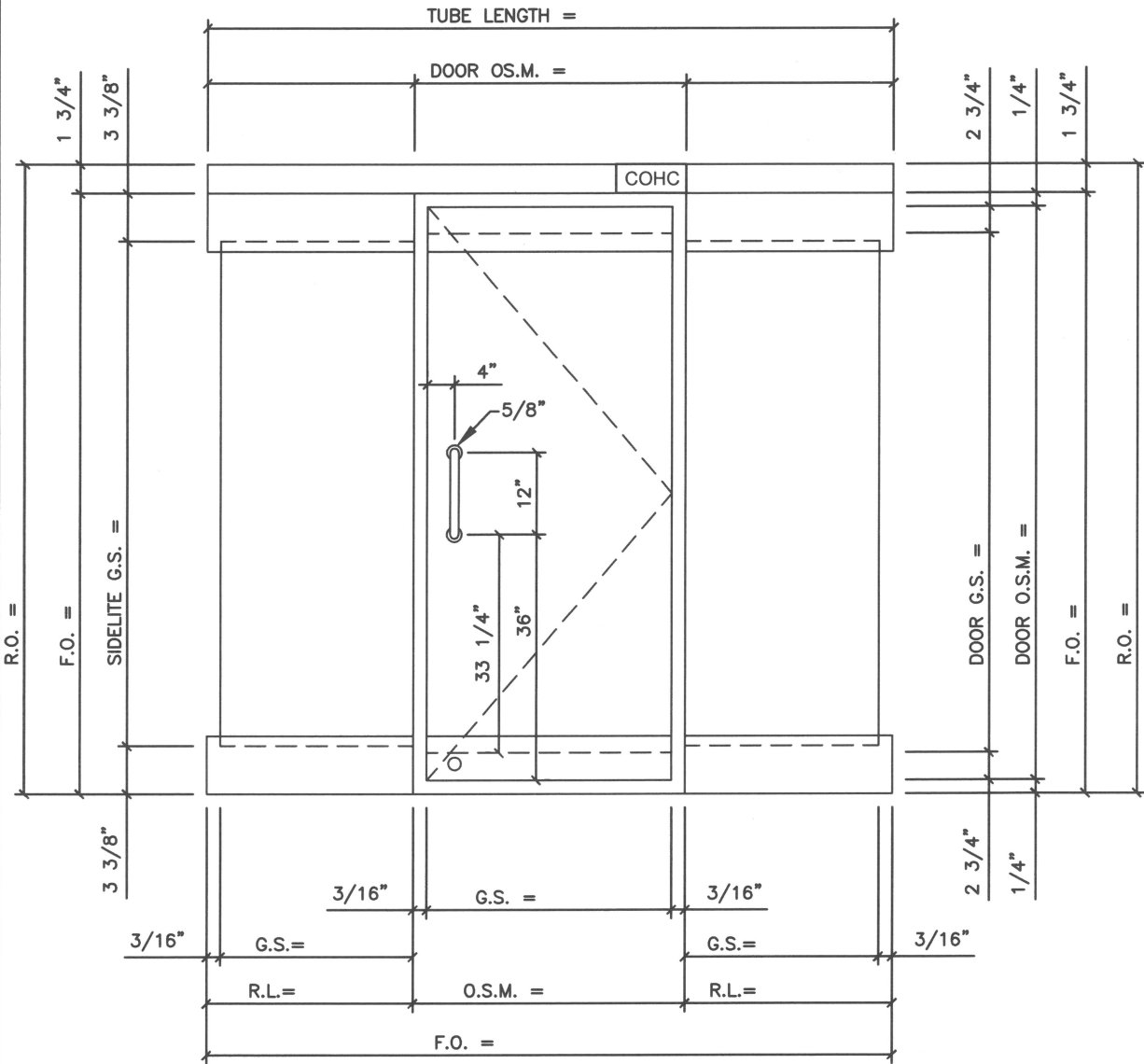
HARDWARE FINISH
<input type="checkbox"/> POLISHED S/S
<input type="checkbox"/> SATIN S/S
<input type="checkbox"/> POLISHED BRASS
<input type="checkbox"/> SATIN BRASS
<input type="checkbox"/> CLEAR ANODIZED
<input type="checkbox"/> BRONZE ANODIZED
<input type="checkbox"/> BLACK | CLOSER
<input type="checkbox"/> NONE REQUIRED
<input type="checkbox"/> OVERHEAD
<input type="checkbox"/> FLOOR
<input type="checkbox"/> N H O
<input type="checkbox"/> 90 H O
<input type="checkbox"/> 105 H O

HEADER TUBE
<input type="checkbox"/> YES
<input type="checkbox"/> NO

LOCKS
<input type="checkbox"/> YES
<input type="checkbox"/> NO

DOOR PULLS
<input type="checkbox"/> STANDARD 12"
<input type="checkbox"/> OTHER |
|---|---|

NOTE: _____



GLASS TECH ENTRANCE SYSTEMS LTD.

4607 Pacific Road N.E.
 Calgary, Alberta T2E 5S4
 Phone: (403) 230-0661
 Fax: (403) 230-9346

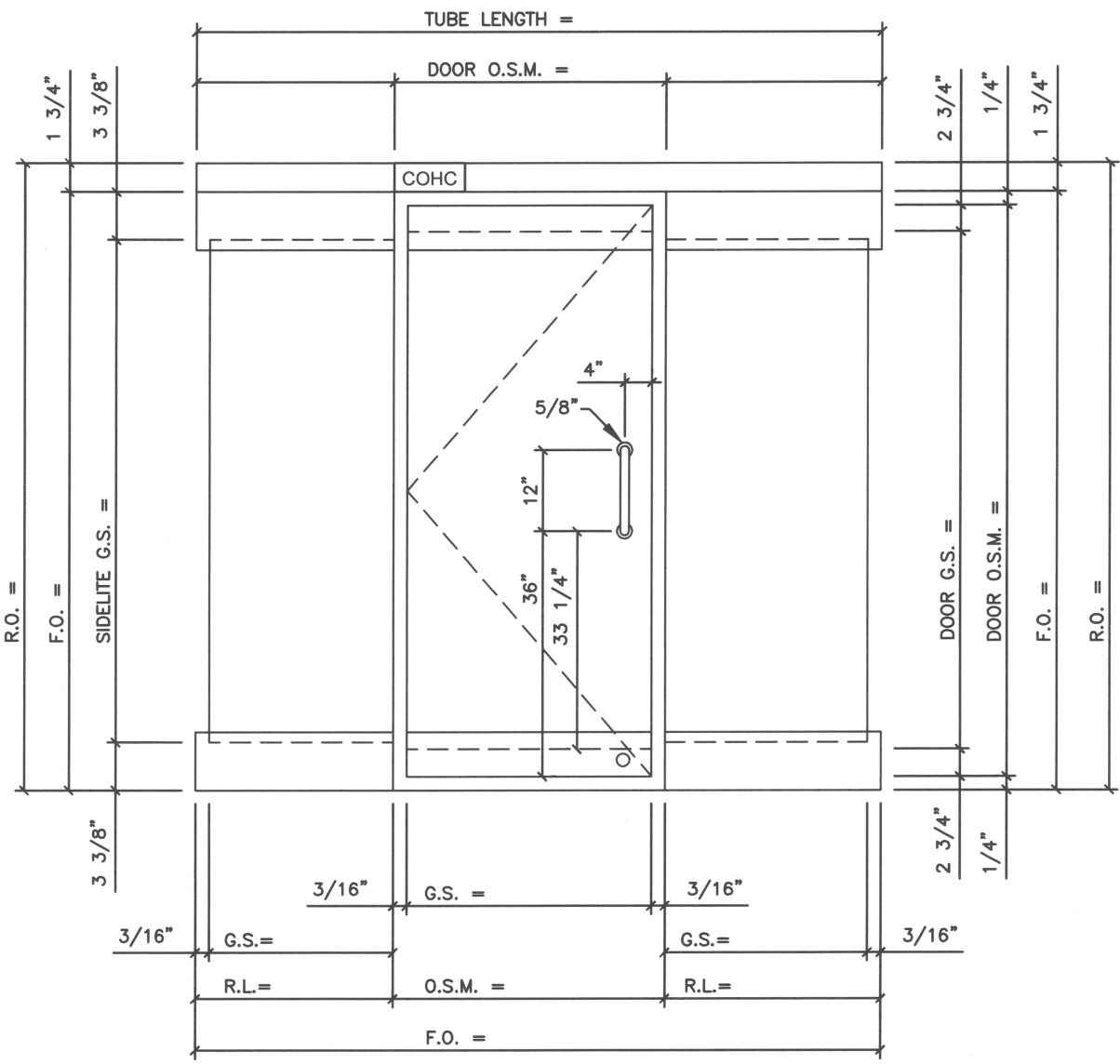
CUSTOMER: _____
 JOB: _____
 WORK ORDER: _____
 PURCHASE ORDER: _____
 DATE: _____

CUSTOMER'S APPROVAL
 FOR DESIGN, QUANTITIES, DIMENSIONS AND APPROVAL
 FIRM: _____
 BY: _____
 DATE: _____
 NOTE: JOB WILL GO INTO PRODUCTION ONLY AFTER THIS APPROVAL HAS BEEN RETURNED

- | | |
|--|--|
| TEMPERED GLASS
<input type="checkbox"/> 12mm
<input type="checkbox"/> 10mm | CLOSER
<input type="checkbox"/> NONE REQUIRED
<input type="checkbox"/> OVERHEAD
<input type="checkbox"/> FLOOR |
| GLASS COLOR
<input type="checkbox"/> CLEAR
<input type="checkbox"/> BRONZE
<input type="checkbox"/> GREY | <input type="checkbox"/> N H O
<input type="checkbox"/> 90 H O
<input type="checkbox"/> 105 H O |
| HARDWARE FINISH
<input type="checkbox"/> POLISHED S/S
<input type="checkbox"/> SATIN S/S
<input type="checkbox"/> POLISHED BRASS
<input type="checkbox"/> SATIN BRASS
<input type="checkbox"/> CLEAR ANODIZED
<input type="checkbox"/> BRONZE ANODIZED
<input type="checkbox"/> BLACK | HEADER TUBE
<input type="checkbox"/> YES
<input type="checkbox"/> NO

LOCKS
<input type="checkbox"/> YES
<input type="checkbox"/> NO |
| | DOOR PULLS
<input type="checkbox"/> STANDARD 12"
<input type="checkbox"/> OTHER |

NOTE: _____



GLASS TECH ENTRANCE SYSTEMS LTD.

4607 Pacific Road N.E.
 Calgary, Alberta T2E 5S4
 Phone: (403) 230-0661
 Fax: (403) 230-9346

CUSTOMER: _____
 JOB: _____
 WORK ORDER: _____
 PURCHASE ORDER: _____
 DATE: _____

CUSTOMER'S APPROVAL
 FOR DESIGN, QUANTITIES, DIMENSIONS AND APPROVAL
 FIRM: _____
 BY: _____
 DATE: _____
 NOTE: JOB WILL GO INTO PRODUCTION ONLY AFTER THIS APPROVAL HAS BEEN RETURNED

- | | |
|---|---|
| TEMPERED GLASS
<input type="checkbox"/> 12mm
<input type="checkbox"/> 10mm

GLASS COLOR
<input type="checkbox"/> CLEAR
<input type="checkbox"/> BRONZE
<input type="checkbox"/> GREY

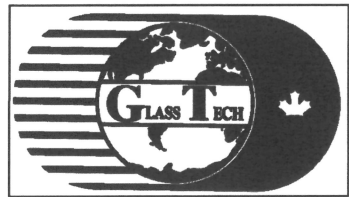
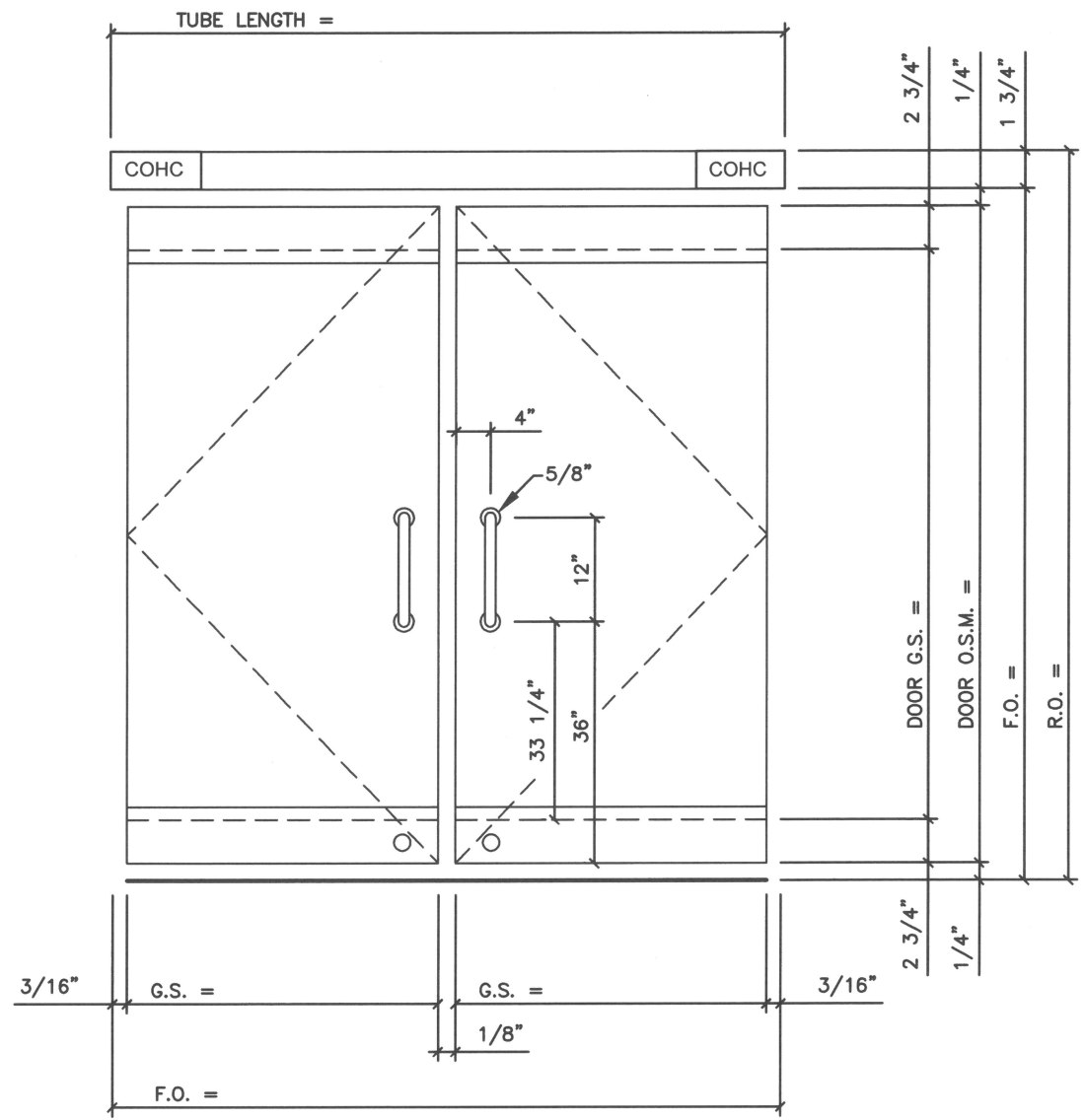
HARDWARE FINISH
<input type="checkbox"/> POLISHED S/S
<input type="checkbox"/> SATIN S/S
<input type="checkbox"/> POLISHED BRASS
<input type="checkbox"/> SATIN BRASS
<input type="checkbox"/> CLEAR ANODIZED
<input type="checkbox"/> BRONZE ANODIZED
<input type="checkbox"/> BLACK | CLOSER
<input type="checkbox"/> NONE REQUIRED
<input type="checkbox"/> OVERHEAD
<input type="checkbox"/> FLOOR
<input type="checkbox"/> N H O
<input type="checkbox"/> 90 H O
<input type="checkbox"/> 105 H O

HEADER TUBE
<input type="checkbox"/> YES
<input type="checkbox"/> NO

LOCKS
<input type="checkbox"/> YES
<input type="checkbox"/> NO

DOOR PULLS
<input type="checkbox"/> STANDARD 12"
<input type="checkbox"/> OTHER |
|---|---|

NOTE: _____



GLASS TECH ENTRANCE SYSTEMS LTD.

4607 Pacific Road N.E.
 Calgary, Alberta T2E 5S4
 Phone: (403) 230-0661
 Fax: (403) 230-9346

CUSTOMER: _____
 JOB: _____
 WORK ORDER: _____
 PURCHASE ORDER: _____
 DATE: _____

CUSTOMER'S APPROVAL
 FOR DESIGN, QUANTITIES, DIMENSIONS AND APPROVAL
 FIRM: _____
 BY: _____
 DATE: _____

NOTE: JOB WILL GO INTO PRODUCTION ONLY AFTER THIS APPROVAL HAS BEEN RETURNED

- | | |
|---|---|
| TEMPERED GLASS
<input type="checkbox"/> 12mm
<input type="checkbox"/> 10mm

GLASS COLOR
<input type="checkbox"/> CLEAR
<input type="checkbox"/> BRONZE
<input type="checkbox"/> GREY

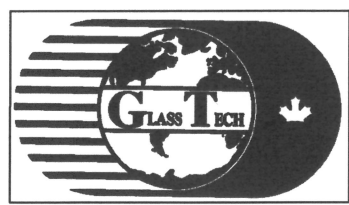
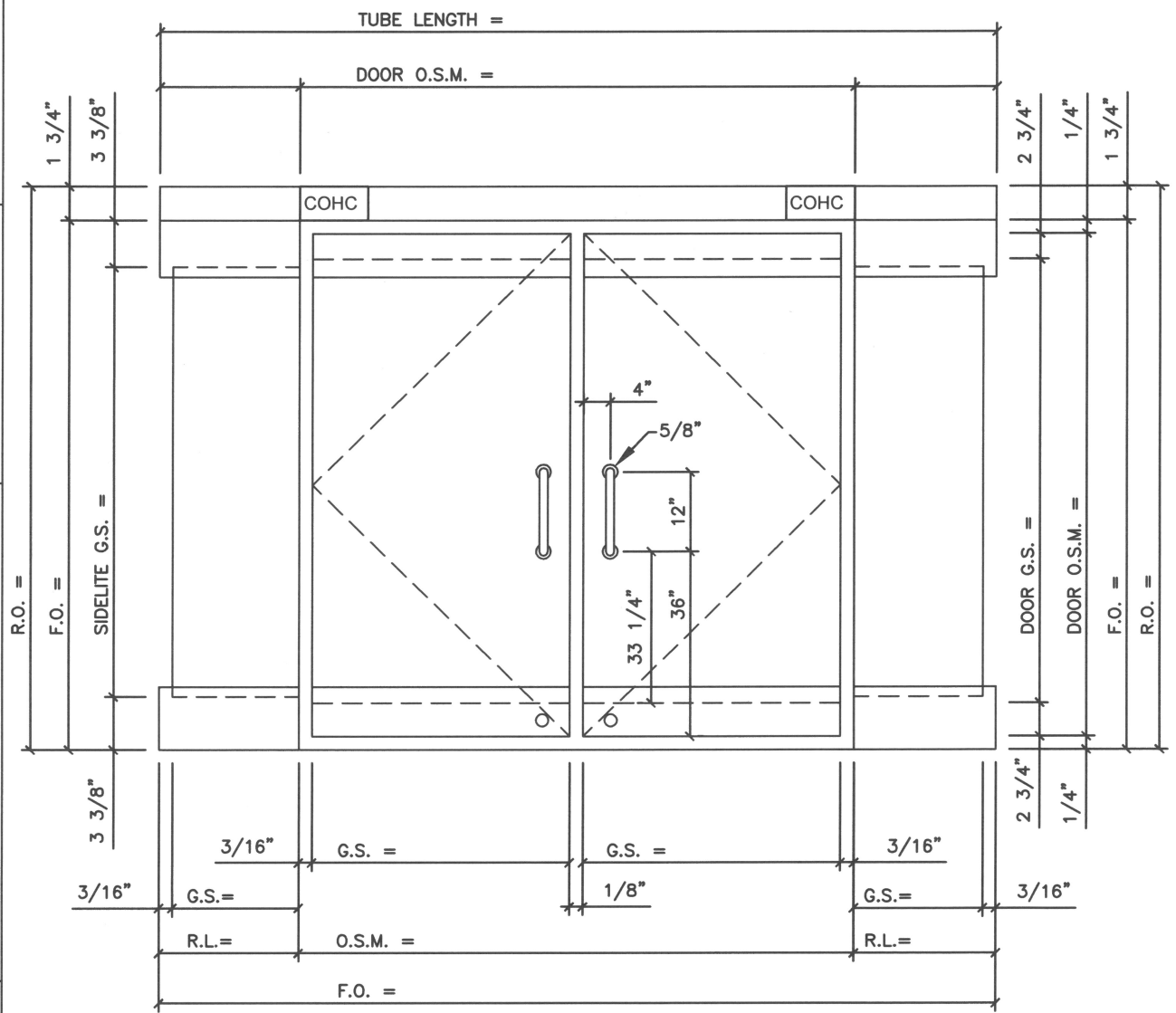
HARDWARE FINISH
<input type="checkbox"/> POLISHED S/S
<input type="checkbox"/> SATIN S/S
<input type="checkbox"/> POLISHED BRASS
<input type="checkbox"/> SATIN BRASS
<input type="checkbox"/> CLEAR ANODIZED
<input type="checkbox"/> BRONZE ANODIZED
<input type="checkbox"/> BLACK | CLOSER
<input type="checkbox"/> NONE REQUIRED
<input type="checkbox"/> OVERHEAD
<input type="checkbox"/> FLOOR
<input type="checkbox"/> N H O
<input type="checkbox"/> 90 H O
<input type="checkbox"/> 105 H O

HEADER TUBE
<input type="checkbox"/> YES
<input type="checkbox"/> NO

LOCKS
<input type="checkbox"/> YES
<input type="checkbox"/> NO

DOOR PULLS
<input type="checkbox"/> STANDARD 12"
<input type="checkbox"/> OTHER |
|---|---|

NOTE: _____



GLASS TECH ENTRANCE SYSTEMS LTD.

4607 Pacific Road N.E.
 Calgary, Alberta T2E 5S4
 Phone: (403) 230-0661
 Fax: (403) 230-9346