

Distributed by Colcom Sadev Canada.



T CONCEPTS SOLUTIONS

Miami, FL | Asheville, NC

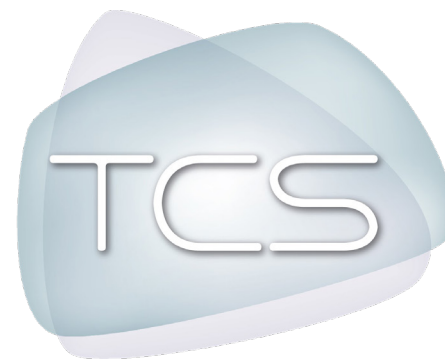
[t-concepts.com](http://t-concepts.com)

888.409.9340



Colcom Sadev Canada  
101 Simona Drive Unit 4, Bolton, Ontario Canada L7E 4E8  
(+1) 416 917 6150 – [info@colcomsadev.ca](mailto:info@colcomsadev.ca)  
[www.colcomsadev.ca](http://www.colcomsadev.ca)

Architectural Glass Door Hardware



**T CONCEPTS SOLUTIONS**

Distributed by Colcom Sadev Canada.



We Build the Invisible

TCS Bio	4
Locking And Non Locking Ladder Pull Handles	6
Options And Accessories	7
Non-Locking Ladder Pull Handles	8
Locking Ladder Pull Handles	15
Locking Ladder Pull with IC Housing	19
Accessible (ADA) Handles	20
Contact Us Directory	25
Oil Dynamic Hydraulic Glass Hardware	26
Auto-Patch Hydraulic Fitting Hardware	27
Biloba 8060 8010 Hydraulic Hinges	28
Biloba EVO Hydraulic Hinge	29
Pureglass Sliding Systems	31

Distributed by Colcom Sadev Canada.



We Build the Invisible





Distributed by Colcom Sadev Canada.

T Concepts Solutions (TCS) is a family owned business that first rose to the forefront of the design industry in 2001. Birthed from a passion for futuristic space planning & light sharing interscopes within the home and workspace—TCS swiftly became renowned for pioneering the introduction of “industrial” type products into the interiors arena. From clear anodized aluminum, specialty tempered glass, resins & acrylics, to insulated glass units; TCS helped to evolve the interiors market by being one of the first companies in the USA to integrate form, function and style with moveable wall systems, space partitions, sliding doors and office fronts.

After working with some of the most exclusive hospitality companies, corporate headquarters, retailers, museums and sporting complexes, in 2010 we re-invented ourselves from a design/build studio to a manufacturer and designer of architectural hardware. TCS is here with a very specific focus in mind; to become a top tiered supplier of architectural hardware for glass doors. Glass concepts are not only the present ... they are the future!

You will find that T Concepts Solutions 2.0 hasn't detoured too far from our roots, but better yet honed a very specific niche of innovation. We now create the architectural hardware we supply to the market, no longer integrating another brand's product into our vision and client's design. From beginning to end, our team:





designs our hardware | creates our hardware | stocks our hardware | delivers it effectively & efficiently to our invaluable clients.

Our hardware:

- Ladder Pull Handles {Locking and Non-Locking}
- Customized Handles
- Auto-Patch Hydraulic Pivot Hardware
- Pure Glass Sliding Doors & Wall Systems
- **ADA Handles**

We are very specific in our approach and attention to not only solving the issues our clients face when deciding on hardware to complete and finish an overall design, but also to steadfastly cultivate the important relationships we share with our clients. All the while, providing high integrity hardware at a fraction of the cost. We have always felt that our team was in a league all our own and we are proud to be a group of innovators, problem solvers, design connoisseurs and trusted colleagues of our clients, whom we see as an extension of our family. TCS has taken a long look at the glass hardware business and it's time for an evolution.

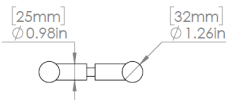
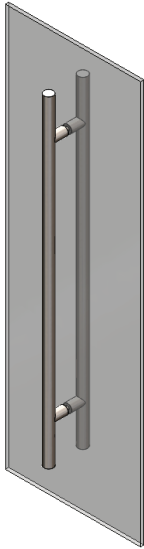




# T CONCEPTS SOLUTIONS Locking And Non Locking Ladder Pull Handles

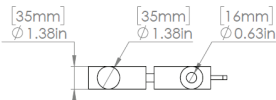
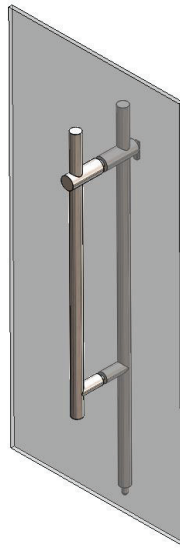
Distributed by Colcom Sadev Canada.

**32mm Round**  
(35mm Available upon Request)



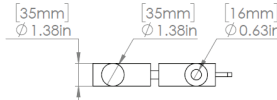
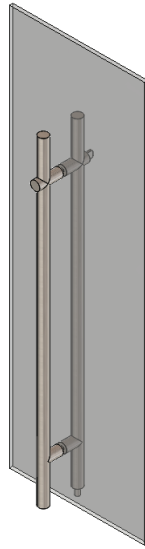
Overall	CTC
72"	60"
60"	<b>44.30"</b>
48"	<b>36"</b>
36"	24"
24"	16"

**35mm Round**  
(Staggered w/ ADA lever)



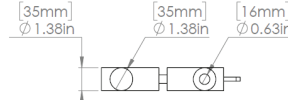
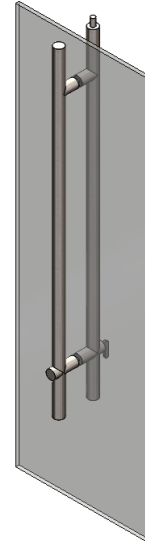
Overall	CTC
60"	<b>33.69"</b>
48"	<b>33.69"</b>

**35mm Round**  
(Bottom Locking)



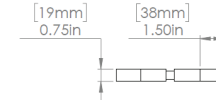
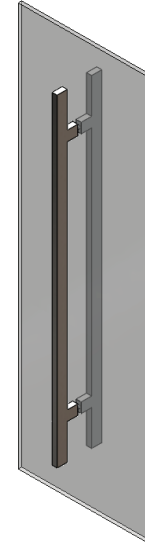
Overall	CTC
72"	60"
60"	48"
48"	<b>41.30"</b>

**35mm Round**  
(Top Locking w/ ADA lever)



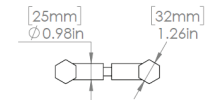
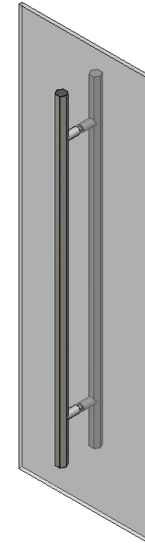
Overall	CTC
72"	60"
60"	48"
48"	<b>36"</b>

**19mm X 38mm Rectangle**



Overall	CTC
72"	60"
60"	48"
48"	<b>36"</b>
36"	24"
24"	16"

**32mm Hex**

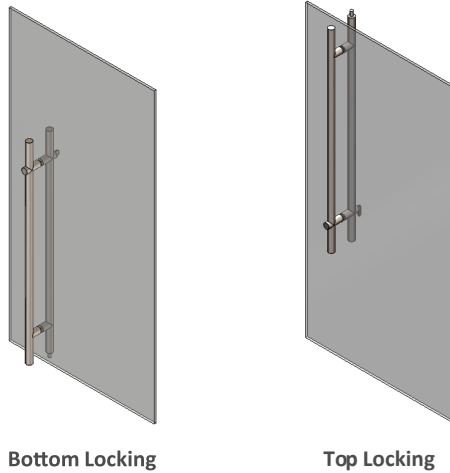


Overall	CTC
72"	60"
60"	48"
48"	<b>36"</b>
36"	24"
24"	16"

ALL INFORMATION CONTAINED IN THIS DOCUMENT IS THE PROPERTY OF TCONCEPTS SOLUTIONS. ANY REPRODUCTION IN WHOLE OR IN PART IS PROHIBITED

(The above drawing is suited for 3/8" (10mm) or 1/2" (12.7mm) glass. TCS can offer this pull for 1-3/4" (44mm) substrates upon request using our conversion kits for non locking and locking pulls.)

### Locking Options:



### Dust Proof Spring Loaded Floor Receiver:



Shown here: Dust-proof receiver comes standard with locking handles, Flange receiver sold as an option

### Finish Options:

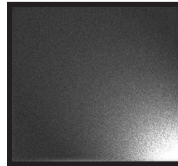
**Brushed Stainless Steel US32D (BSS)**



**Polished Stainless Steel US32 (PSS)**



**Titanium Black**



**Matte Black US19 (MBLK)**



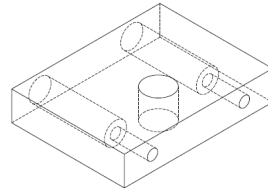
**Oil Rubbed Bronze US10B (ORB)**



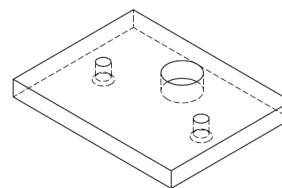
Per client submitted color sample and/or paint specification data

### Top Locking Receiver Options:

**Horizontal Mount**

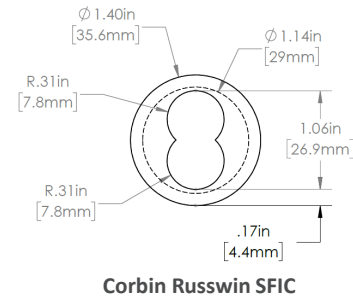
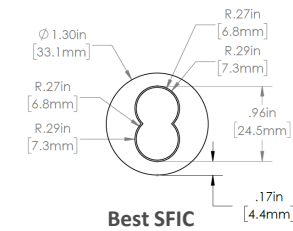


**Vertical Mount**

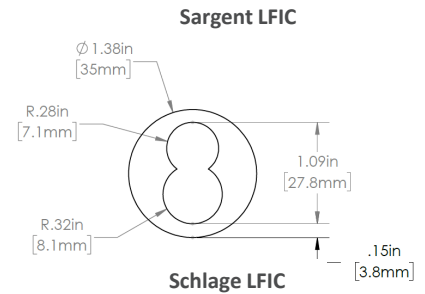
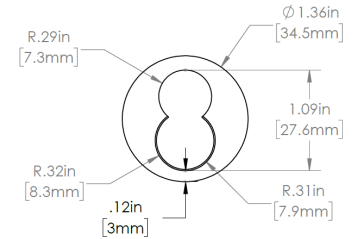


### Lock Core Options:

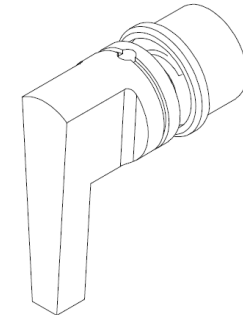
**Small Format Interchangeable Core (SFIC)**



**Large Format Interchangeable Core (LFIC)**



### ADA Accessible Lever 180/360:



ALL INFORMATION CONTAINED IN THIS DOCUMENT IS THE PROPERTY OF T-CONCEPTS SOLUTIONS. ANY REPRODUCTION IN WHOLE OR IN PART IS PROHIBITED WITHOUT PRIOR WRITTEN CONSENT.

(The above drawing is suited for 3/8" (10mm) or 1/2" (12.7mm) glass. TCS can offer this pull for 1-3/4" (44mm) substrates upon request using our conversion kits for non locking and locking pulls.)



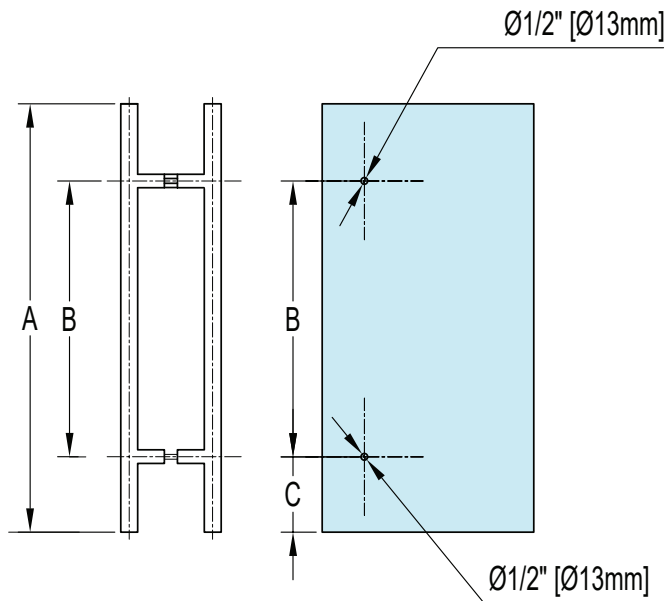


Distributed by Colcom Sadev Canada.

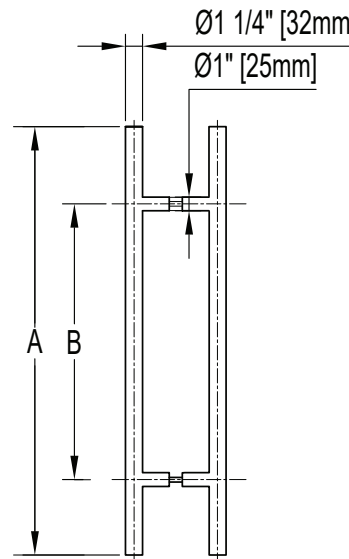
# 12" Non-Locking Ladder Pull Handle

PART # XP-12-BSS

Glass Cut-out Template



Details



Note:

1. Body tube Diameter: 1-1/4" (32mm)
2. Post Diameter: 1" (25mm)
3. With white grommet seals (Plastics)
4. With white bushing
5. Finished: BSS (Brushed)

A = 12" (305mm)  
 B = 8" (203 mm)  
 C = 2" (50.8 mm)

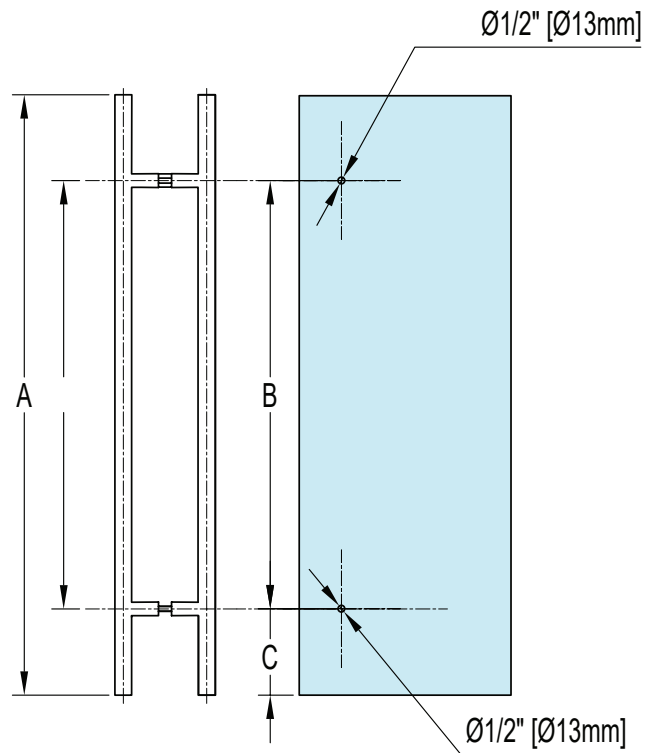
(The above drawing is suited for 3/8" (10mm) or 1/2" (12.7mm) glass. TCS can offer this pull for 1-3/4" (44mm) substrates upon request using our conversion kits for non locking and locking pulls.)



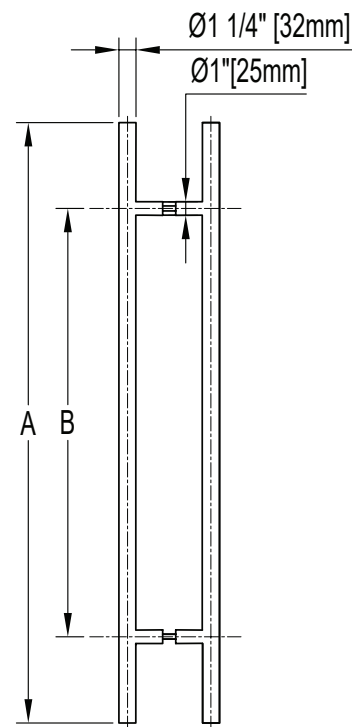
# 18" Non-Locking Ladder Pull Handle

PART #XP-18-BSS

## Glass Cut-out Template



## Details



Note:

1. Body tube Diameter: 1-1/4" (32mm)
2. Post Diameter: 1" (25mm)
3. With white grommet seals (Plastics)
4. With white bushing
5. Finished: BSS (Brushed)

A = 18" (457.2 mm)  
B = 12" (304.8 mm)  
C = 3" (76.2 mm)

(The above drawing is suited for 3/8" (10mm) or 1/2" (12.7mm) glass. TCS can offer this pull for 1-3/4" (44mm) substrates upon request using our conversion kits for non locking and locking pulls.)



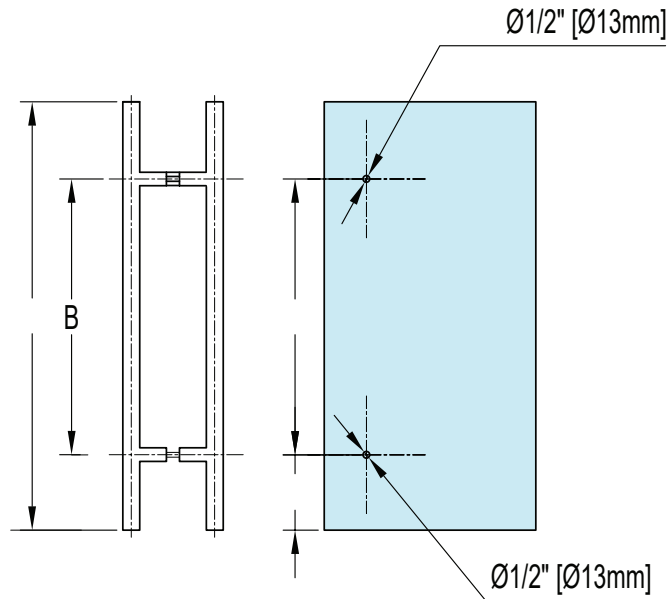


Distributed by Colcom Sadev Canada.

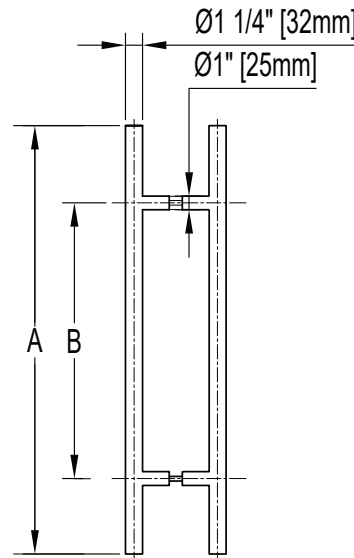
## 24" Non-Locking Ladder Pull Handle

PART # XP-24-BSS

Glass Cut-out Template



Details



Note:

1. Body tube Diameter: 1-1/4" (32mm)
2. Post Diameter: 1" (25mm)
3. With white grommet seals (Plastics)
4. With white bushing
5. Finished: BSS (Brushed)

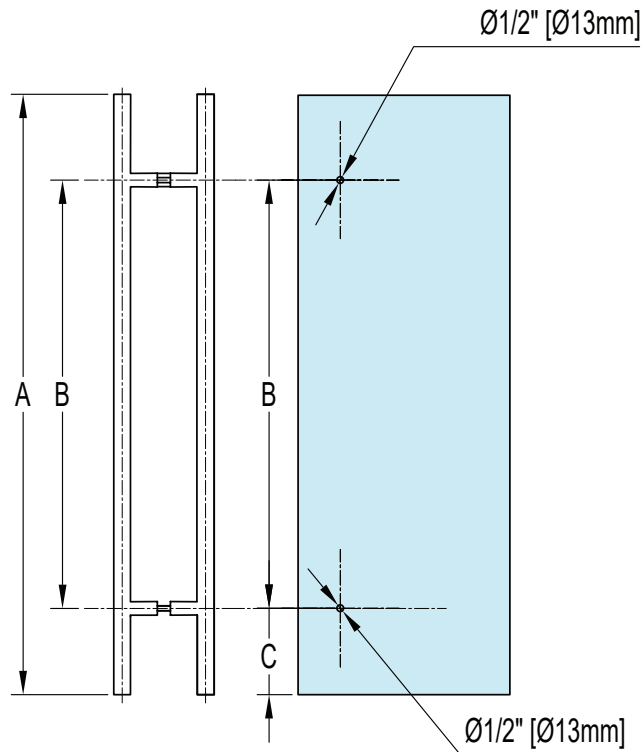
A = 24" (610 mm)  
 B = 16" (406 mm)  
 C = 4" (101.5 mm)

(The above drawing is suited for 3/8" (10mm) or 1/2" (12.7mm) glass. TCS can offer this pull for 1-3/4" (44mm) substrates upon request using our conversion kits for non locking and locking pulls.)

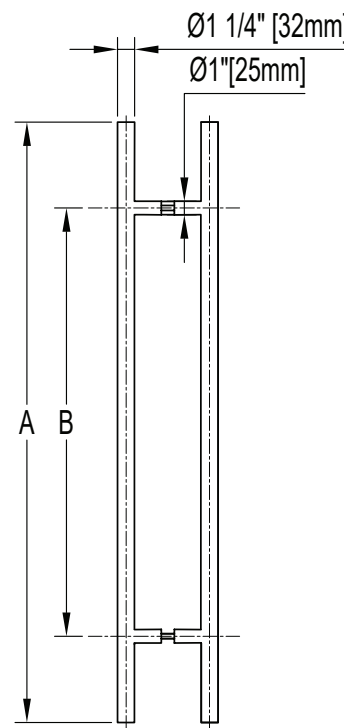
## 36" Non-Locking Ladder Pull Handle

PART #XP-36-BSS

Glass Cut-out Template



Details



Note:

1. Body tube Diameter: 1-1/4" (32mm)
2. Post Diameter: 1" (25mm)
3. With white grommet seals (Plastics)
4. With white bushing
5. Finished: BSS (Brushed)

A = 36" (914 mm)  
B = 24" (610 mm)  
C = 6" (152.5 mm)

(The above drawing is suited for 3/8" (10mm) or 1/2" (12.7mm) glass. TCS can offer this pull for 1-3/4" (44mm) substrates upon request using our conversion kits for non locking and locking pulls.)



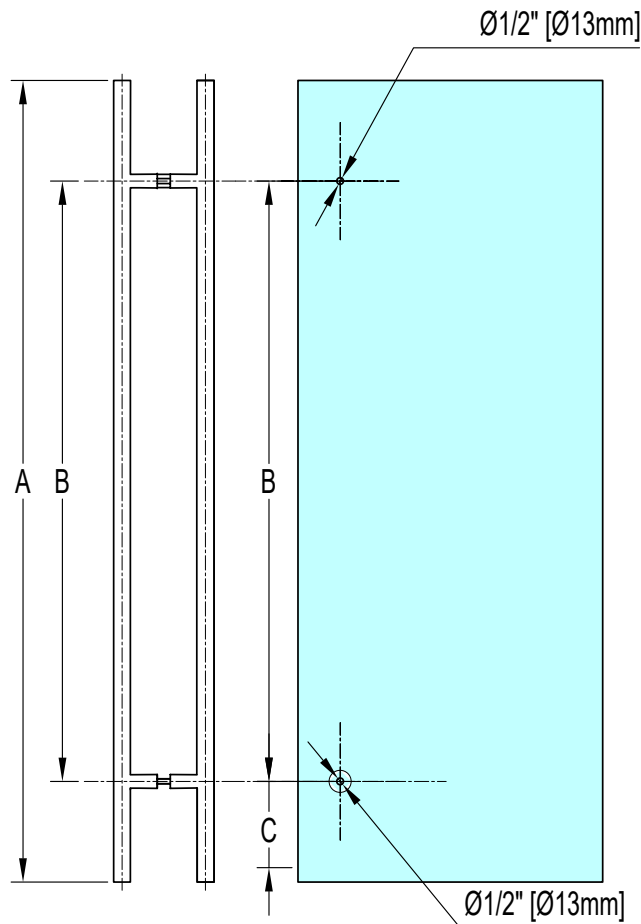


Distributed by Colcom Sadev Canada.

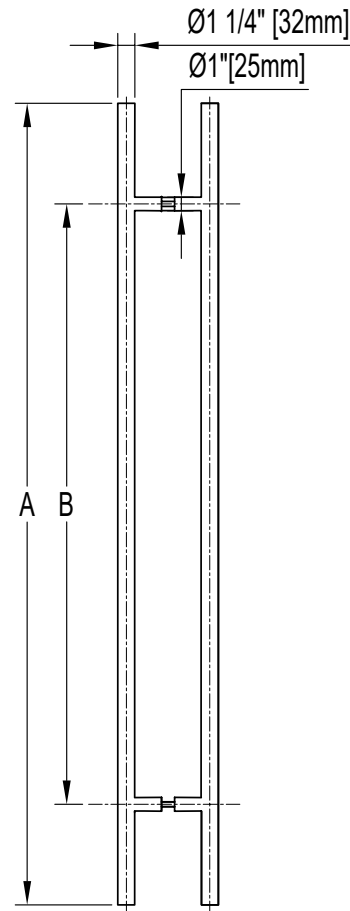
# 48" Non-Locking Ladder Pull Handle

PART #XP-48-BSS

### Glass Cut-out Template



### Details



Note:

1. Body tube Diameter: 1-1/4" (32mm)
2. Post Diameter: 1" (25mm)
3. With white grommet seals (Plastics)
4. With white bushing
5. Finished: BSS (Brushed)

A = 48" (1220 mm)  
 B = 36" (914 mm)  
 C = 6" (152.5 mm)

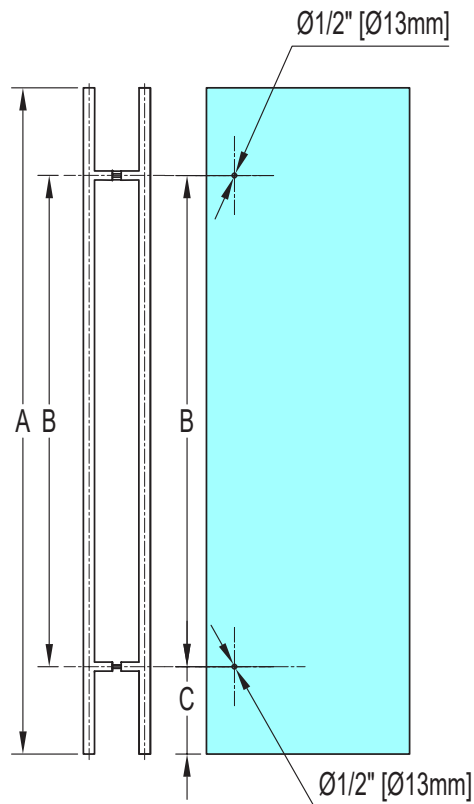
External Dimensions

(The above drawing is suited for 3/8" (10mm) or 1/2" (12.7mm) glass. TCS can offer this pull for 1-3/4" (44mm) substrates upon request using our conversion kits for non locking and locking pulls.)

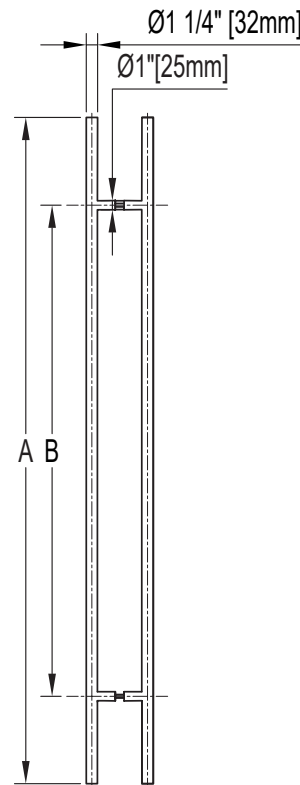
# 60" Non-Locking Ladder Pull Handle

PART #XP-60-BSS

### Glass Cut-out Template



### Details



Note:

1. Body tube Diameter: 1-1/4" (32mm)
2. Post Diameter: 1" (25mm)
3. With white grommet seals (Plastics)
4. With white bushing
5. Finished: BSS (Brushed)

A = 60" (1524 mm)  
B = 44.3" (1125 mm)  
C = 7.85" (199.5 mm)

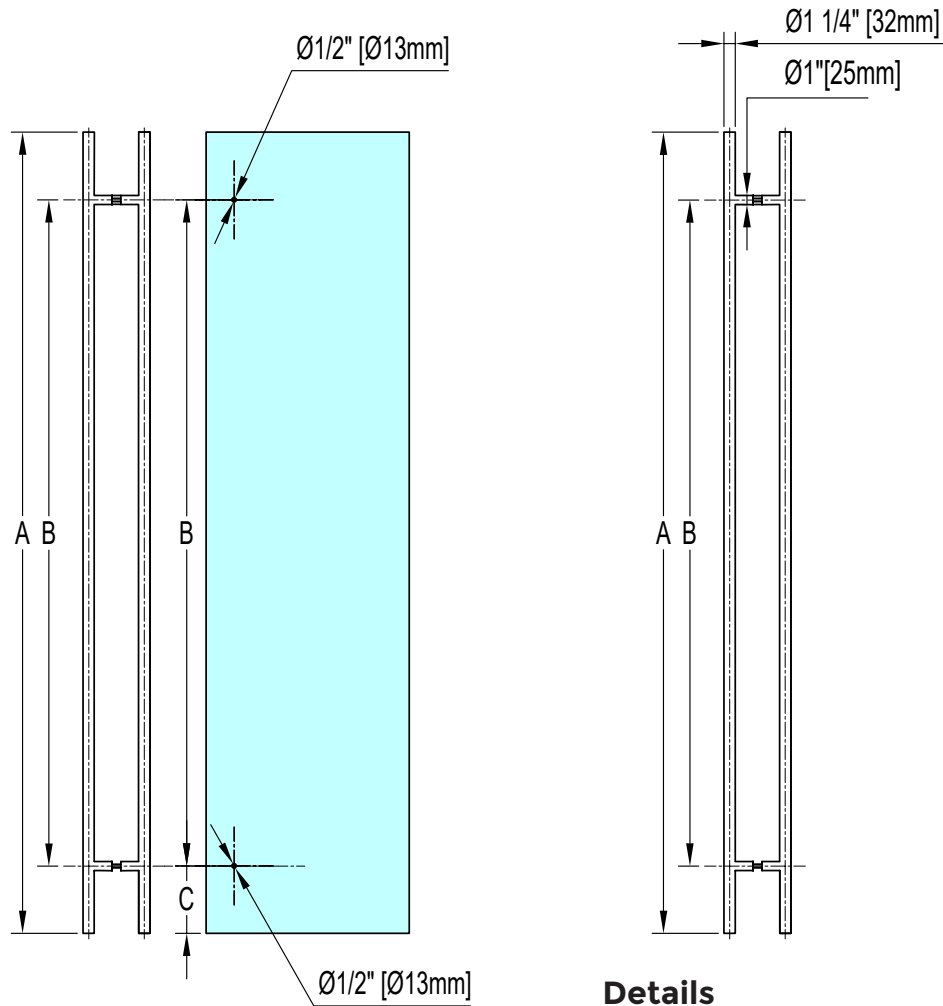
(The above drawing is suited for 3/8" (10mm) or 1/2" (12.7mm) glass. TCS can offer this pull for 1-3/4" (44mm) substrates upon request using our conversion kits for non locking and locking pulls.)



Distributed by Colcom Sadev Canada.

### 72" Non-Locking Ladder Pull Handle

PART #XP-72-BSS



Note:

- 1. Body tube Diameter: 1-1/4" (32mm)
- 2. Post Diameter: 1" (25mm)
- 3. With white grommet seals (plastics)
- 4. With white bushing
- 5. Finished: BSS (Brushed)

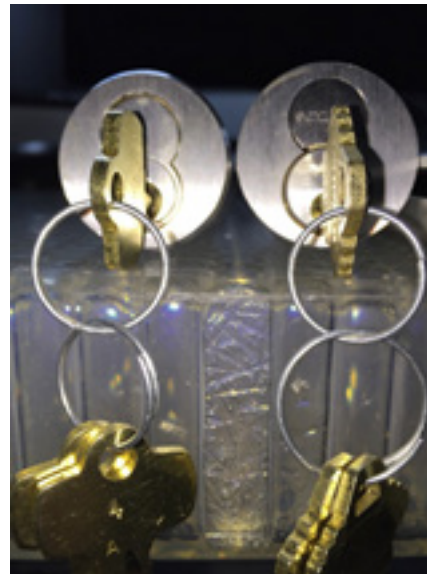
A = 72" (1828 mm)  
 B = 60" (1524 mm)  
 C = 6" (152.5 mm)

#### Glass Cut-out Template

(The above drawing is suited for 3/8" (10mm) or 1/2" (12.7mm) glass. TCS can offer this pull for 1-3/4" (44mm) substrates upon request using our conversion kits for non locking and locking pulls.)

## Locking Ladder Pull Handle

**TCS** has taken the lead in identifying your need to have options while desiring security. No need to be confused about your choices and options! As shown we have standardized a ladder pull design which will accommodate large format interchangeable core (LFIC) housings as well as small format interchangeable core (SFIC) housings. Tell us your desired core/cylinder and we will prepare your desired locking pull. TCS does not provide cylinder cores or keys. Of course we offer a selection of finishes, materials, and custom designs for your particular needs.



Available in Miami stock for locking sizes: 48", 60" and 72". Other sizes available upon request



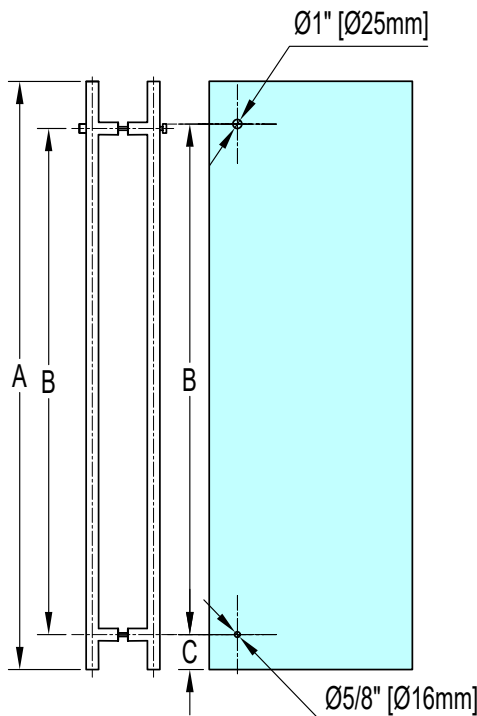


Distributed by Colcom Sadev Canada.

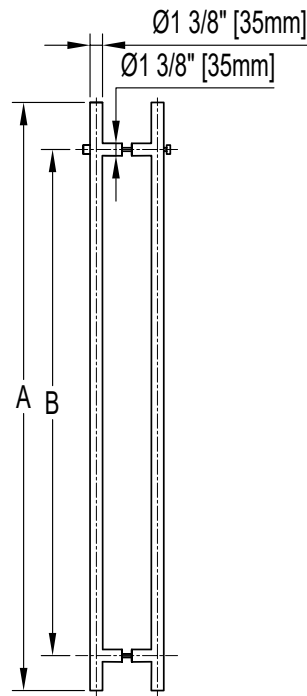
### 48" Locking Ladder Pull Handle

PART #LP-48-BSS-SFIC

#### Glass Cut-out Template



#### Details



Note:

1. Size: OD-Ø35mm\*48" (1220mm)C&C1050mm, posts diameter is 35mm
2. With metal washers and grommet scals(Plastics)
3. With white bushings
4. Finished: BSS (Brushed)
5. Integral locking facility Key operated from outside Thumb turn inside (Factory supply without lock core)
6. Supply with spring floor receiver

A = 48" (1220 mm)  
 B = 41.3" (1050 mm)  
 C = 3" (76 mm)

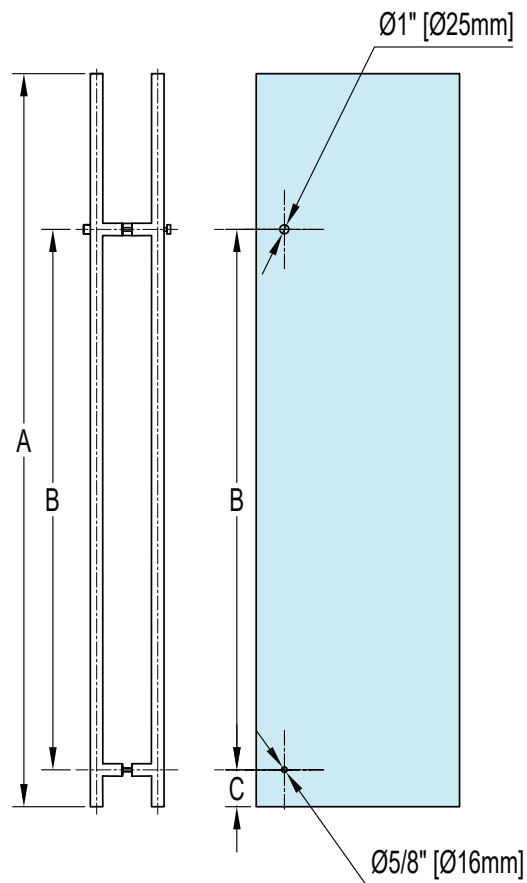
(The above drawing is suited for 3/8" (10mm) or 1/2" (12.7mm) glass. TCS can offer this pull for 1-3/4" (44mm) substrates upon request using our conversion kits for non locking and locking pulls.)



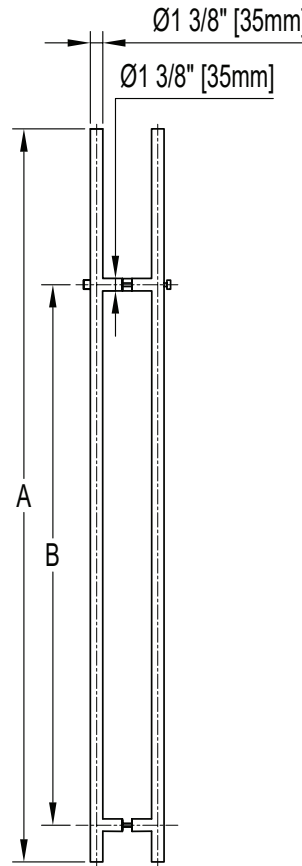
# 60" Locking Ladder Pull Handle

PART #LP-60-BSS-SFIC

## Glass Cut-out Template



## Details



Note:

1. Size: OD-Ø35mm\*60" (1524mm)C&C 44.3" (1125mm,) posts diameter is 35mm
2. With metal washers and grommet scals(Plastics)
3. With white bushings
4. Finished: BSS (Brushed)
5. Integral locking facility Key operated from outside Thumb turn inside (Factory supply without lock core)
6. Supply with spring floor receiver

A = 60" (1524 mm)  
B = 44.3" (1125 mm)  
C = 3" (76 mm)

(The above drawing is suited for 3/8" (10mm) or 1/2" (12.7mm) glass. TCS can offer this pull for 1-3/4" (44mm) substrates upon request using our conversion kits for non locking and locking pulls.)



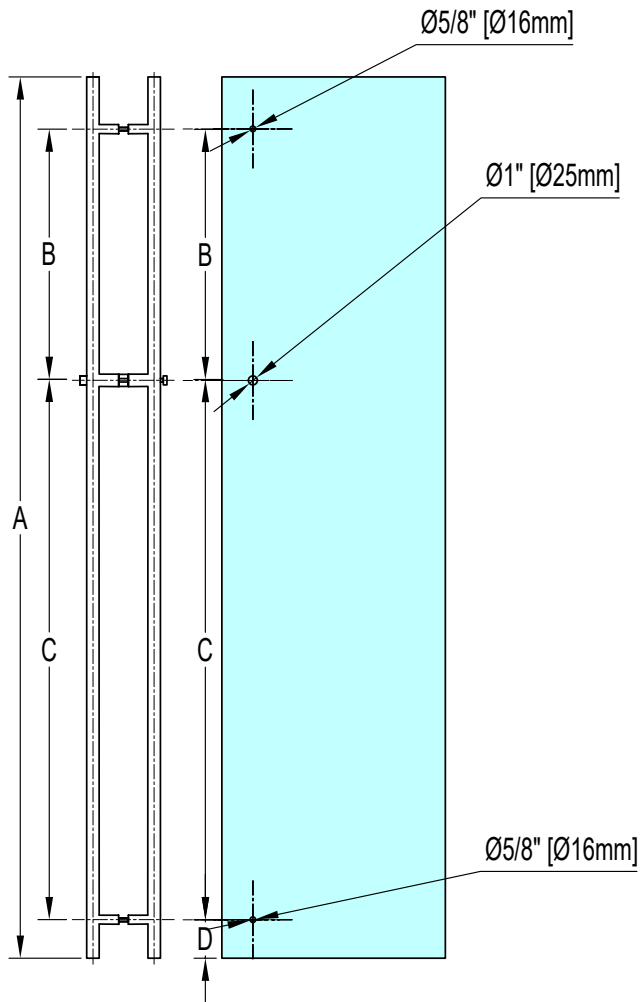


Distributed by Colcom Sadev Canada.

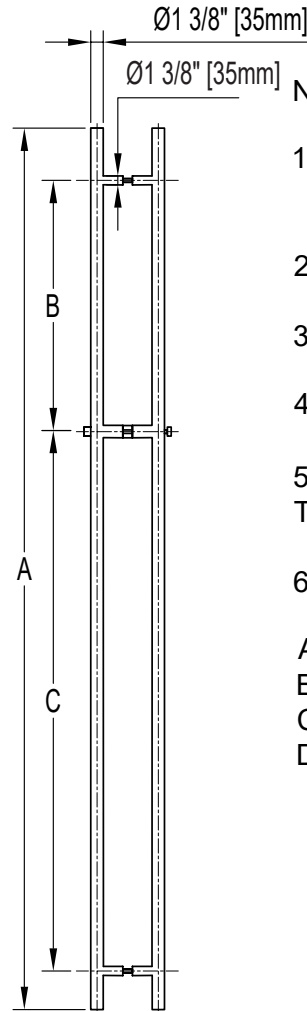
# 72" Locking Ladder Pull Handle

PART #LP-72-BSS-SFIC

## Glass Cut-out Template



## Details



Note:

1. Size: OD- $\text{Ø}35\text{mm} \times 72''$  (1828mm) C&C1125 & 525mm, posts diameter is 35mm
2. With metal washers and grommet seals (Plastics)
3. With white bushings
4. Finished: BSS (Brushed)
5. Integral locking facility Key operated from outside Thumb turn inside (Factory supply without lock core)
6. Supply with spring floor receiver

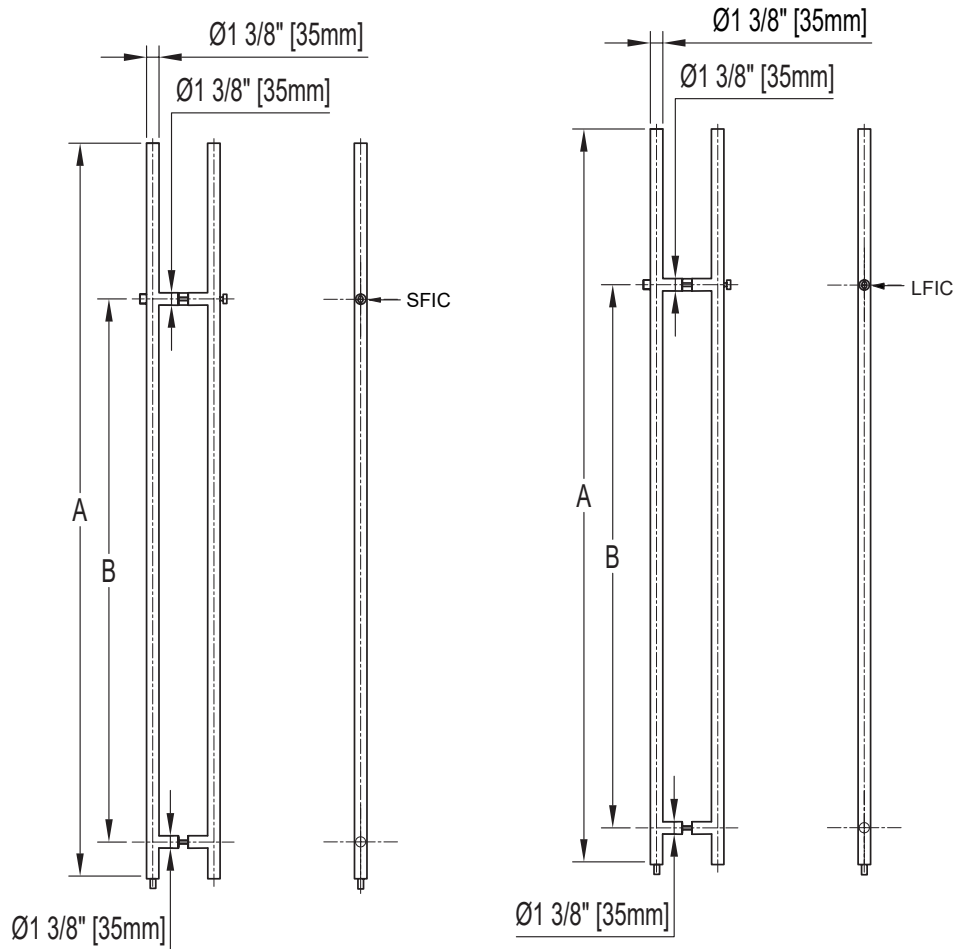
A = 72" (1828 mm)  
 B = 20.6" (525 mm)  
 C = 44.3" (1125 mm)  
 D = 3" (76 mm)

(The above drawing is suited for 3/8" (10mm) or 1/2" (12.7mm) glass. TCS can offer this pull for 1-3/4" (44mm) substrates upon request using our conversion kits for non locking and locking pulls.)

**PART #LP-60-BSS-SFIC**  
**Details**

**60" Locking Ladder Pull with IC Housing**

**PART #LP-60-BSS-LFIC-SCHLAGE**



A = 60" (1524 mm)  
B = 44.3" (1125 mm)

(The above drawing is suited for 3/8" (10mm) or 1/2" (12.7mm) glass. TCS can offer this pull for 1-3/4" (44mm) substrates upon request using our conversion kits for non locking and locking pulls.)



Distributed by Colcom Sadev Canada.

## Accessible (ADA) Handles

Let TCS be your “go-to” source for your specific handle needs. We will alert you to:

- Updated designs approved for “accessible” use.
- Prototype your specific project handle(s).
- Offer you locking options...LFIC or SFIC.
- Offer you a selection of finishes and material (316SS).
- Perhaps stock your specific design based on your overall need.

Contact **TCS** for your next design!

Interested in learning more about ADA requirements for glass door hardware? Visit our article featured in The Construction Specifier Magazine

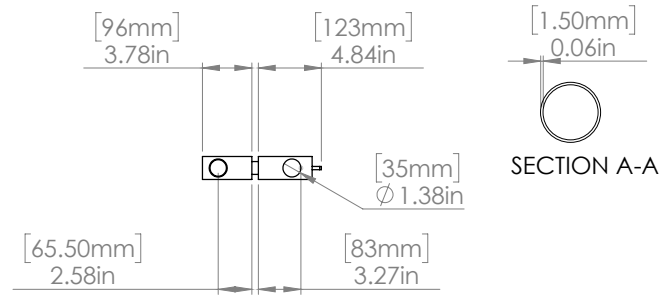
<https://t-concepts.com/2017/07/ada-requirements-glass-doors/>

# Custom Ladder Pull Handle

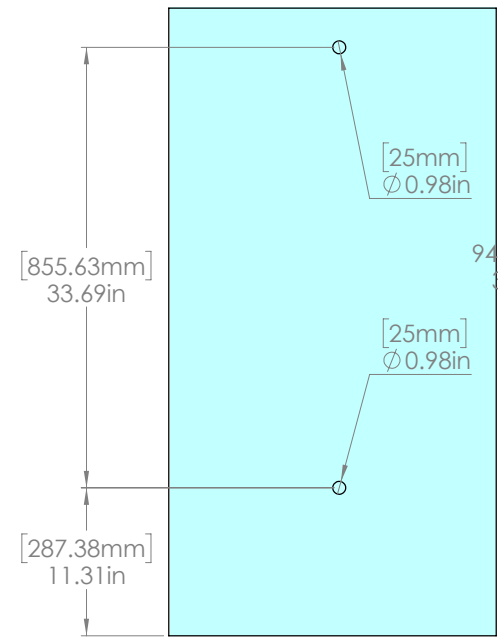
**PART # LLNSP-37.375/48-BSS-SFIC-ADA**

## Notes:

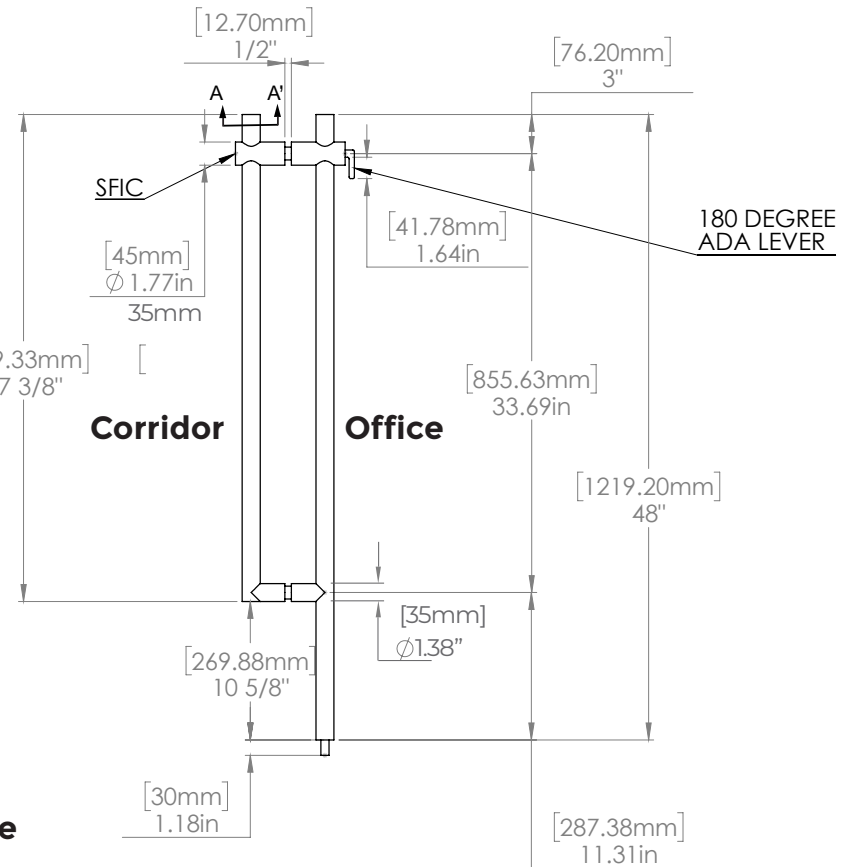
1. Body tube diameter: 1.38" (35mm)
2. Bottom Post Diameter: 1.38" (35mm)
3. Top Post Diameter: 1.77" (45mm)
4. With white grommet seals (Plastic)
5. With white bushing
6. Finish: BSS (Brushed Stainless Steel)
7. Substrate: 1/2" Glass
8. Include Hardware for 1 9/16" steel door.
9. Using 1.5mm wall thickness tubing



**Dust Proof Spring Loaded Floor Receiver:**



**Glass Cut-out Template**



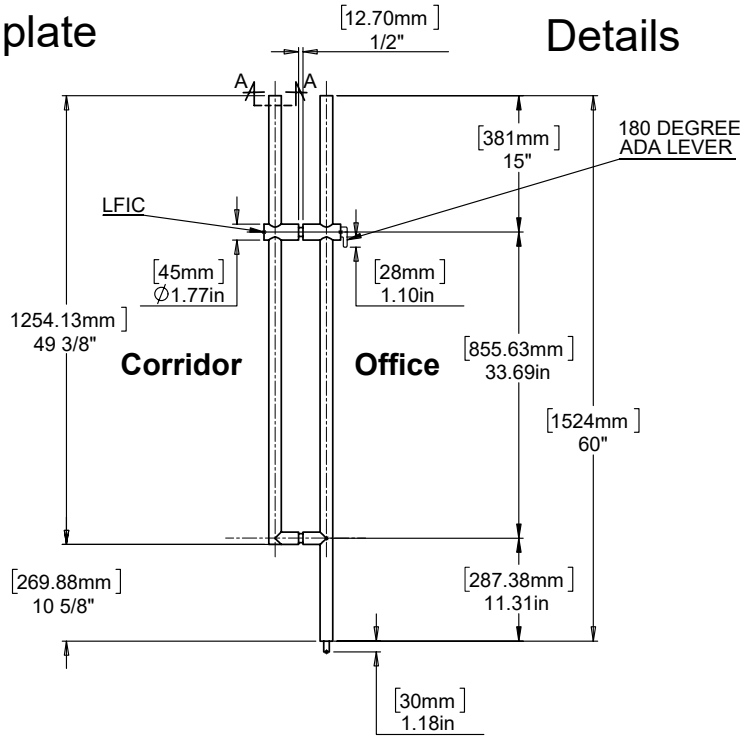
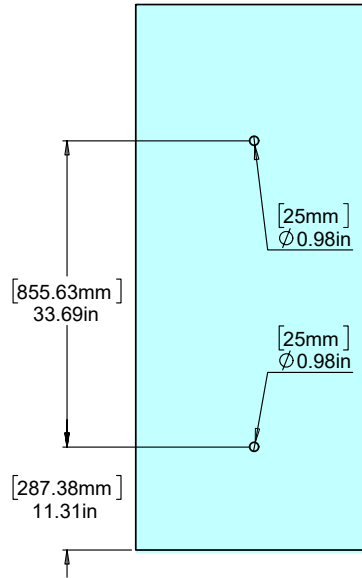


## ADA Accessible Door Handles

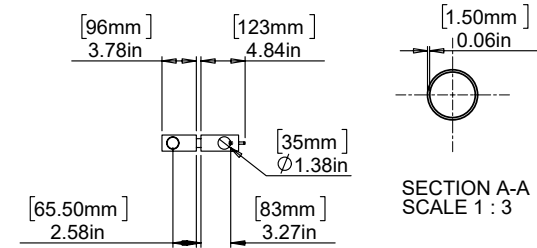
# ADA Staggered LFIC Locking Ladder Pull Handle

Drawing No. LLNSP-49.375/60-BSS-LIFIC-ADA

## Glass Cut-out Template



## Details



### Notes:

1. Body tube diameter: 1.38" (35mm)
2. Bottom Post Diameter: 1.38" (35mm)
3. Top Post Diameter: 1.77" (45mm)
4. With white grommet seals (Plastic)
5. With white bushing
6. Finish: BSS (Brushed Stainless Steel)
7. Substrate:  $\frac{1}{2}$ " and  $\frac{3}{8}$ " Glass
8. Using 1.5mm wall thickness tubing



**Dust Proof Spring Loaded Floor Receiver Included**

Please note: TCS manufacturers to specific guidelines regarding ADA accessible handles. However, due to specific project guidelines outside of our scope, differentials and interpretations of ADA regulations per state, compliance to ADA design of this handle is the responsibility of the project design team. Ultimately TCS accepts no liability for project or product approval and acceptance based on this or any particular ADA pull design.

□ ALL INFORMATION CONTAINED IN THIS DOCUMENT IS THE PROPERTY OF T-CONCEPTS SOLUTIONS. ANY REPRODUCTION IN WHOLE OR IN PART IS PROHIBITED WITHOUT PRIOR WRITTEN CONSENT.

**(The above drawing is suited for 3/8" (10mm) or 1/2" (12.7mm) glass. TCS can offer this pull for 1-3/4" (44mm) substrates upon request using our conversion kits for non locking and locking pulls.)**



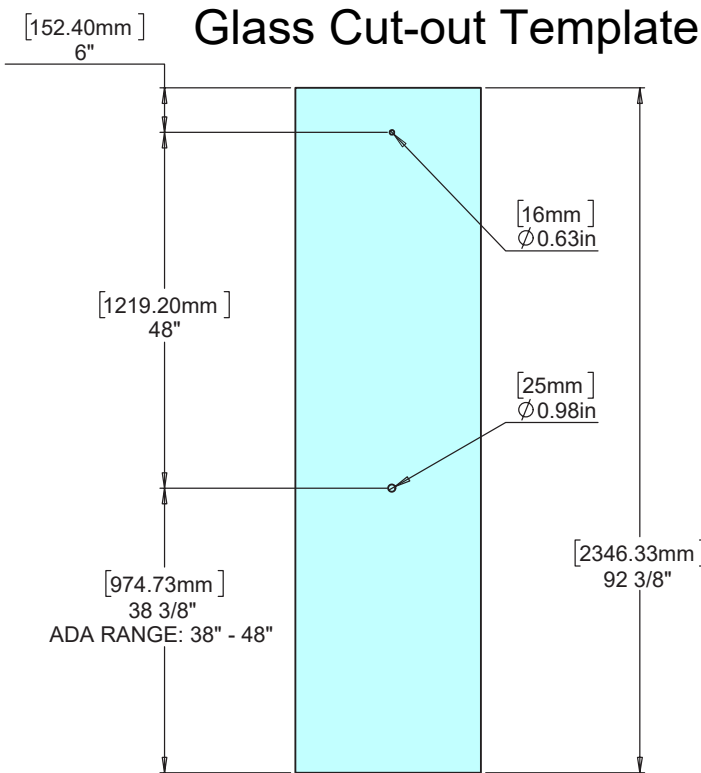
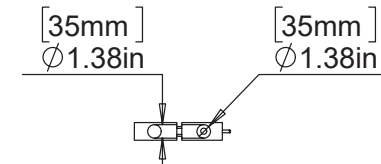


Distributed by Colcom Sadev Canada.

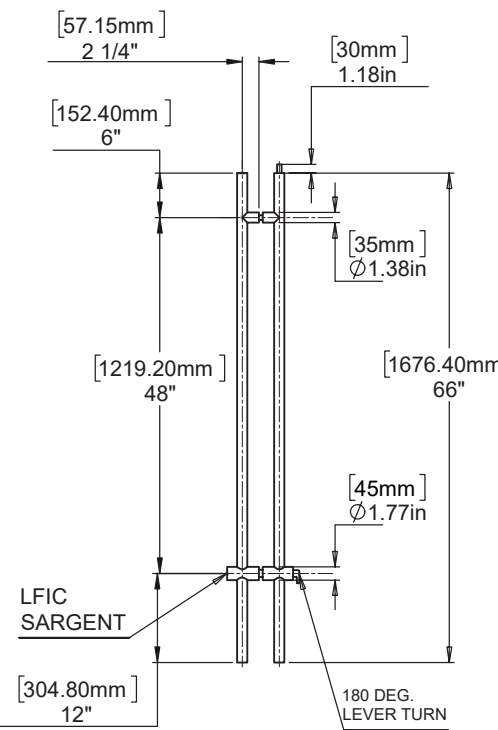
# Ladder Pull Handle

Drawing No. LLNSP-66-BSS-LFIC-ADA-TOP

For all TOP locking pulls TCS must know height of finish opening



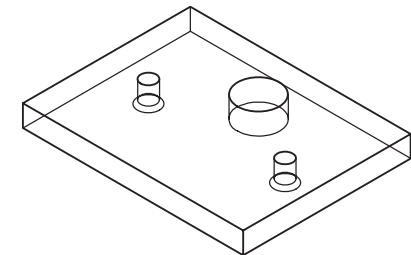
## Details



### Notes:

1. With white grommet seals (Plastic)
2. With white bushing
3. Finish: Brushed (BSS)
4. Substrate: 1/2" (12.7mm) aluminum
5. For top locking request TCS must have your finished height dimension for proper ADA design

**Vertical Top mount receiver upon requested**



ALL INFORMATION CONTAINED IN THIS DOCUMENT IS THE PROPERTY OF T-CONCEPTS SOLUTIONS. ANY REPRODUCTION IN WHOLE OR IN PART IS PROHIBITED WITHOUT PRIOR WRITTEN CONSENT.

Please note: TCS manufacturers to specific guidelines regarding ADA accessible handles. However, due to specific project guidelines outside of our scope, differentials and interpretations of ADA regulations per state, compliance to ADA design of this handle is the responsibility of the project design team. Ultimately TCS accepts no liability for project or product approval and acceptance based on this or any particular ADA pull design.

(The above drawing is suited for 3/8" (10mm) or 1/2" (12.7mm) glass. TCS can offer this pull for 1-3/4" (44mm) substrates upon request using our conversion kits for non locking and locking pulls.)





## T CONCEPTS SOLUTIONS

888.409.9340

Sales Department [rfq@t-concepts.com](mailto:rfq@t-concepts.com)

Order Submittals [orders@t-concepts.com](mailto:orders@t-concepts.com)

Technical Support & Engineering [design@t-concepts.com](mailto:design@t-concepts.com)

General Query's [hello@t-concepts.com](mailto:hello@t-concepts.com)

Distributed by Colcom Sadev Canada.



We Build the Invisible